

DEHUMIDIFYING DRYER DES111-112-113

DESCRIZIONE / DESCRIPTION:

Soffiante ad alta prevalenza / High performance blower.

Impostazione programmi differenti / difference programs setting.

N°1 Torre setacci molecolari / No.1 Molecular sieves dessicant tower.

Dew Point -40°C / Dew Point -40°C.

Funzionamento senza acqua / No water.

Manutenzioni programmate / Programmable maintenances.

Ciclo di trattamento continuo / Treatment cycle in continuous.



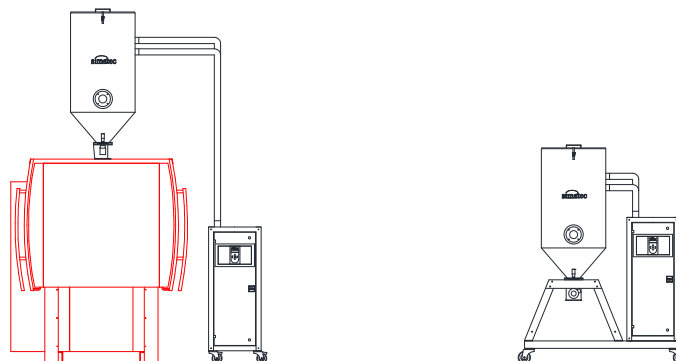
MODELLO MODEL	Portata d'aria Air Flow	Temperatura massima Max Temperature	Soffiante Blower	Potenza totale Total Power	Consumo Consumption
DES111	50 m ³ /h	140 °C	0,2 kW	4,5 (5,7*) kW	a/at 80°C 1,5 kW
DES112	80 m ³ /h	140 °C	0,4 kW	6,6 (7,4*) kW	a/at 80°C 2 kW
DES113	100 m ³ /h	140 °C	0,75 Kw	6,9 (7,7*) kW	a/at 80°C 2,5 kW

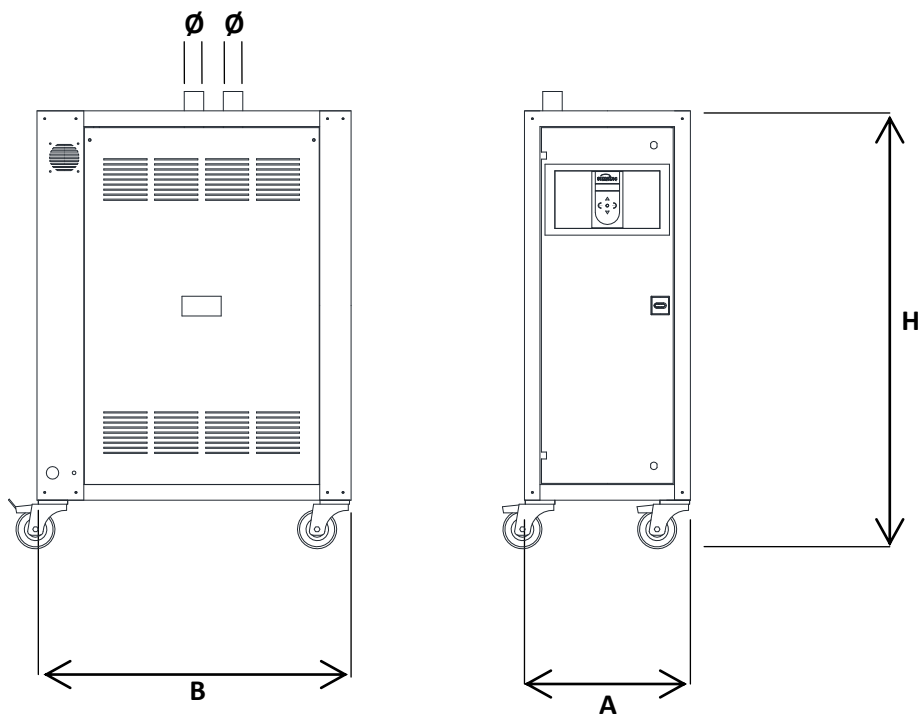
*Versione per alte temperature (HT) / Version for high temperature (HT)

ABBINAMENTO TRAMOGGE / HOPPERS COMBINATION

MODELLO MODEL	TRS40	TRS60	TRS100	TRS150	TRS200
DES111	✓	✓			
DES112		✓	✓		
DES113			✓	✓	✓

ESEMPI DI APPLICAZIONE / EXAMPLE OF APPLICATION:





DIMENSIONI / DIMENSIONS				
MODELLO MODEL	A (mm)	B (mm)	H (mm)	Ø (mm)
DES111	424	800	1125	50
DES112				
DES113				



***AROUND YOUR SUCCESS
THE QUALITY OF THE PROCESS***



An accurate and efficient material drying, is an important element in the processing for have high grade plastics to create a final high quality product for your success.

**DES114-115
NEW HIGH PERFORMANCE SIZE**

The Simatec's engineers, designed and built these new DES compact units with high performance standards.

Cost effective, reliable and easy to use, DES dryers are available with specifications to suit most applications. They can be quickly and easily installed on site, without specialist assistance.

The Simatec DES dessicant dryer is the final solution for treat hygroscopic plastics. The hygroscopic plastics absorb humidity from ambient air which influences the melt in a negative way and massively affects product quality. Thanks to DES dessicant dryer the production risks can be eliminated and a high quality assurance is achieved. No rejects due to humidity.



The Simatec DES dessiccant dryer use two dessiccant beds made in stainless steel totally insulated with high zeolite technology.

The Simatec DES dessiccant dryer have a PLC for control all the functions. Simplest handling by modern microprocessor controls. Indicators on the operating panel show the status of the dryer. Each drying hopper temperature can be individually set at the hopper. Programmable maintenances settings are standard included.

All units, dryers and bins, are mounted on mobile frames for easy movement. The combination and quantity of bins installed to each dryer can be adapted at a later stage as operational requirements change. A small footprint means that DES dryers and bins occupy minimal space on the factory floor.



Drying hoppers are fully insulated with individual heaters and temperature setting controls. The cylindrical shape ensures uniform drying. The hoppers are available in a range of volume sizes, from 15 to 200 litres. There is the possibility for have also an inspection door for easy access and all are totally insulated. The hoppers can be machine mounted up to 150 litres size, or floor mounted on mobile frames. A flange for mounting a Simatec hopper loader is provided on all hoppers.



MODEL		DES 114	DES 115
Voltage / Frequency	V - Hz	400 - 50	
Air flow	m ³ /h	60	80
Process blower	kW	0,4	0,85
Heating power	kW	2,7	2,7
Total power	kW	4,5	5
Average consumption at 80°C	kW/h	0,9	1,5
Noise max level	dB (A)	< 80	
Weight	kG	130	140
DES Dimensions (mm)	Lenght	800	800
	Width	430	430
	Height	1125	1125

RECOMMENDED COMBINATIONS								
MODEL	TRS 15	TRS 25	TRS 40	TRS 60	TRS 80	TRS 100	TRS 150	TRS 200
DES 114	0	0	0	0	0	0		
DES 115			0	0	0	0	0	0